

D1000 Homogenizer



Ergonomic, "slim-line" handle design

CE

- + Quickly homogenizes samples (in under 30 seconds)
- + For volumes 100µl to 250ml
- + Supplied with two generator probes (5mm and 7mm)

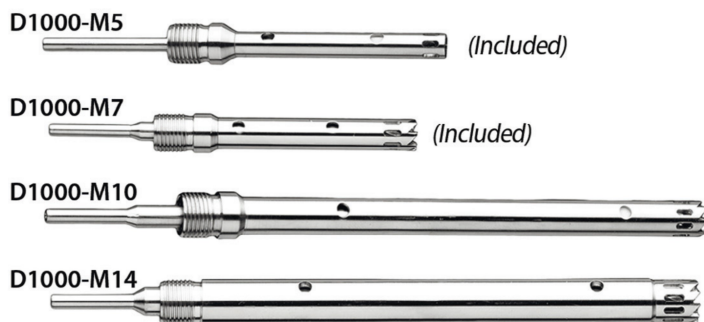
Benchmark's handheld homogenizer, the D1000, is designed to rapidly homogenize, emulsify, suspend and disrupt biological samples. Ideal for use with microtubes, the homogenizer works well with samples from 0.1ml to 250ml (depending upon the generator probe used).

The D1000 is a rotor stator homogenizer which works by drawing the sample, in liquid, into the generator probe with the variable speed rotor, and then forcing it out through the slots in the stator. This achieves mechanical shearing of the sample. As the sample is repeatedly drawn up and forced through the stator, additional shearing takes place.

A powerful, 130W motor drives the rotor at speeds from 8,500 to 30,000 rpm. Speed is continuously adjustable to meet sample processing needs. A separate on/off switch allows the homogenizer to be left at the appropriate setting.

Generator probes are available in four sizes. The 5mm and 7mm diameter have a 50mm length for use with samples in microtubes. The 10mm x 115mm probe is ideal for use with 15 and 50ml tubes and 14mm x 130mm probe, for 50ml tubes and vessels up to 250ml. The unit is supplied with one each of the 5mm and 7mm generator probes. All the generator probes are made of stainless steel and can be sterilized by autoclaving.

Available Generator Heads



Ordering Information:

Item No.	Description:
D1000	D1000 Hand-Held Homogenizer includes one 5mm (flat-bottom) generator probe and one 7mm (saw tooth) generator probe
<i>Optional generator probes:</i>	
D1000-M10	10mm x 115mm saw tooth, for 15 and 50ml tubes
D1000-M14	14mm x 130mm saw tooth, for 50ml - 250ml vessels
D1000-M5	5 x 50mm for microtubes, 5pk.
D1000-M7	7 x 50mm for microtubes, 5pk.
D1000-ST	Stand for D1000 Homogenizer

Technical Data:

Speed Range:	8,500 to 30,000rpm
Capacity:	0.1 to 250ml
Noise Level:	<70db
Dimensions: (W x D x H): (without probe)	1.8 x 2.3 x 9 in. 4.5 x 5.8 x 22.5 cm
Weight:	1.35 lbs (0.6kg)
Electrical:	115 or 230V, 50-60Hz, 130W
Warranty:	2 Years

*115V with US plug. For 230V (EU plug), please add (-E).